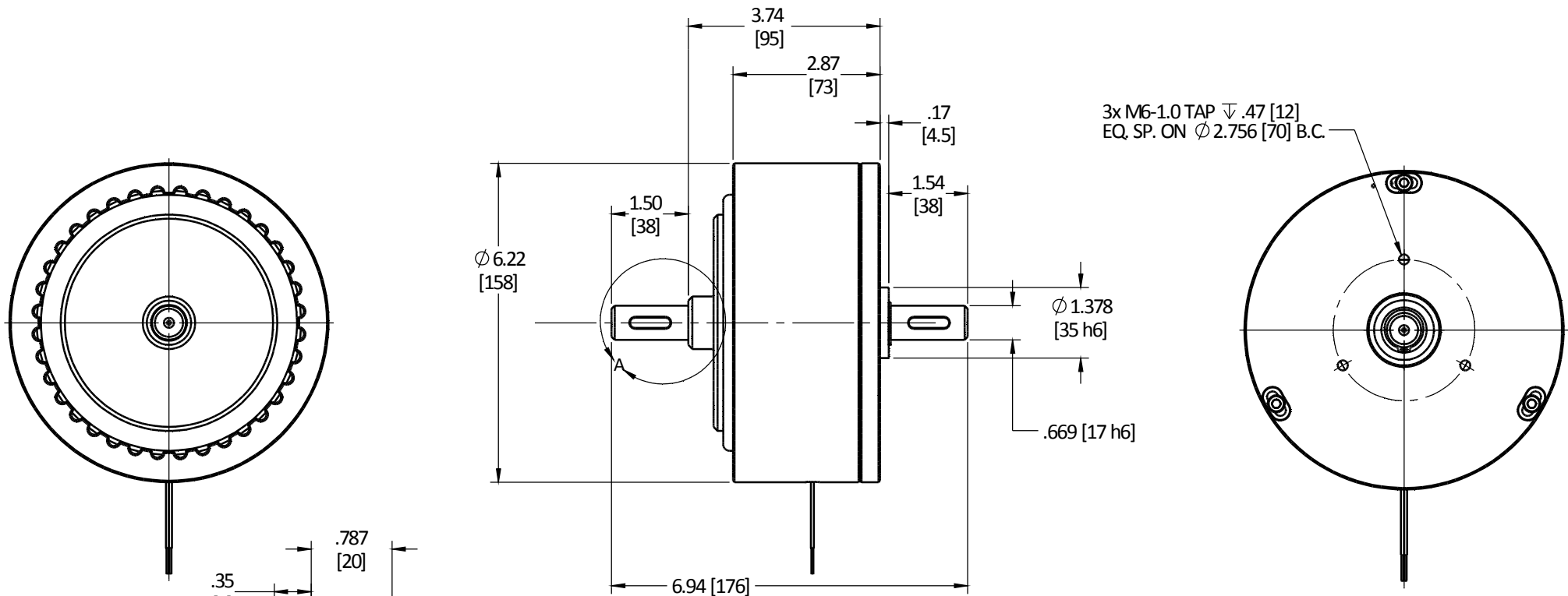
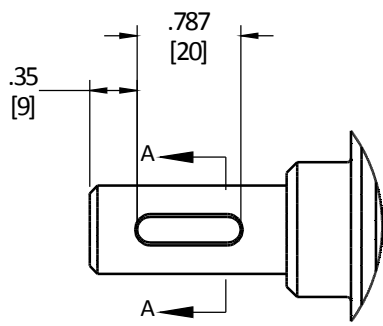


MODEL NO.	VOLTAGE (Vdc)	RATED CURRENT (mA)	MIN. TORQUE AT RATED CURRENT	RESISTANCE ±10% @ 25°C (OHMS)	NOMINAL POWER (WATTS)	MAX SPEED (RPM)	POWER RATING (WATTS) 5 MINUTES	POWER RATING (WATTS) CONTINUOUS	RESIDUAL TORQUE @ 1000 RPM (Nm)	ROTOR INERTIA	ANGULAR ACCELERATION (rad / s ²)	WEIGHT
EB-750	24	410	821.3 in-oz	60	8.8	6,000	1,000	200	7.08 oz-in	12.83 x 10 ⁻³	4,000	22.44 lb
EB-750	24	410	5.80 Nm	60	8.8	6,000	1,000	200	.050 Nm	14.5 kg cm ²	4,000	10.20 kg

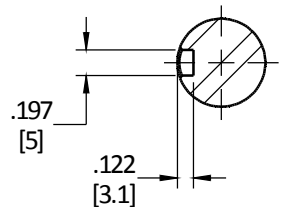
REVISIONS			
REV.	ECN.	DESCRIPTION	DATE



3x M6-1.0 TAP ∇.47 [12]
EQ. SP. ON Ø 2.756 [70] B.C.



DETAIL A
SCALE 1 : 1

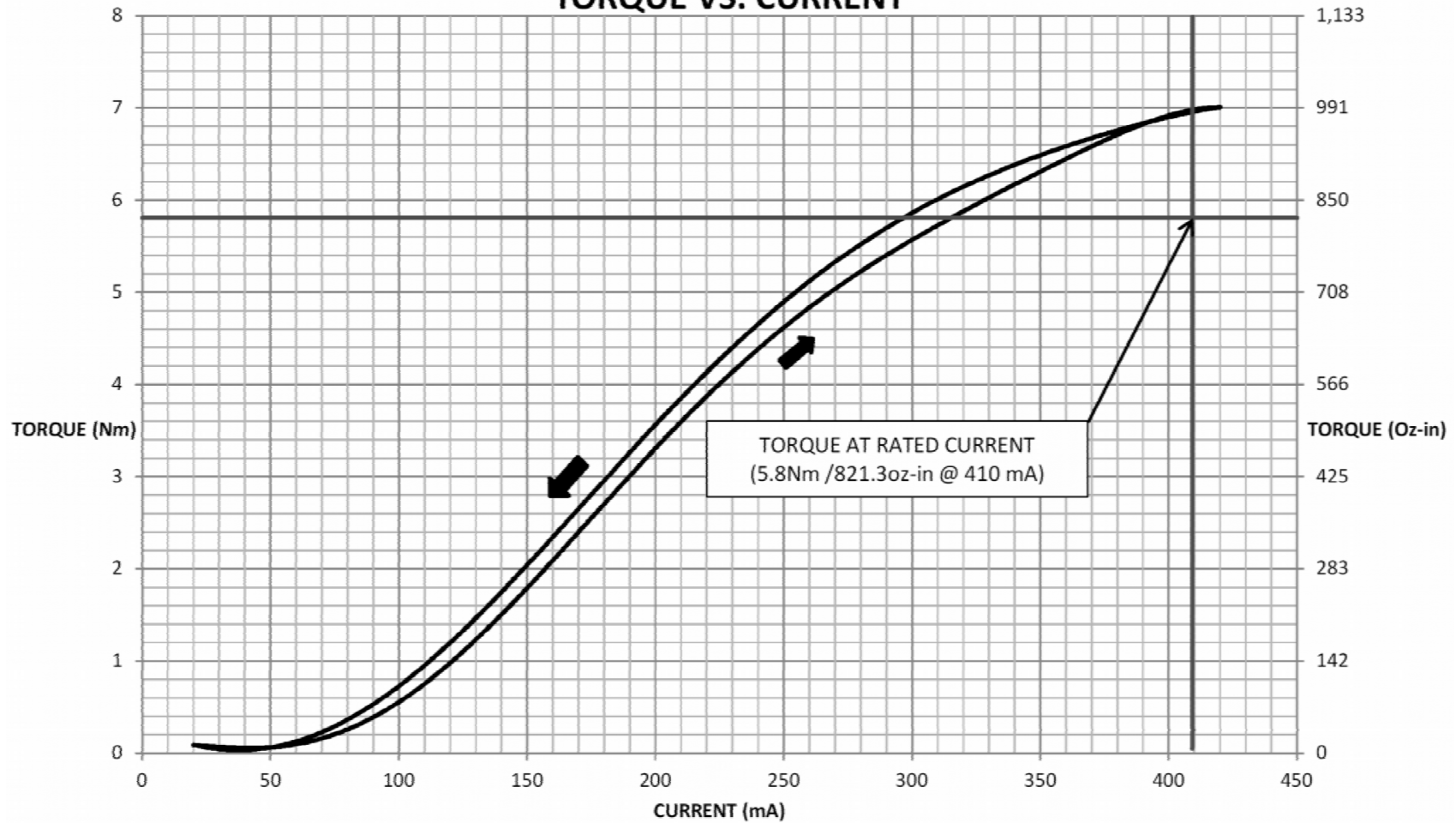


SECTION A-A
SCALE 1 : 1

THIS DRAWING IS THE PROPERTY OF MAGNETIC TECHNOLOGIES LTD. AND IS SUPPLIED ON THE EXPRESS CONDITION THAT IT SHALL NOT BE LENT, COPIED, REPRODUCED NO DISCLOSED TO ANY OTHER PERSON, IN WHOLE OR IN PART WITHOUT THE WRITTEN CONSENT OF MAGNETIC TECHNOLOGIES LTD.

USED ON EB-750M-2DS	SCALE 1:2	MATERIAL SEE PRT DWG	
UNLESS OTHERWISE SPECIFIED:		FINISH SEE PRT DWG	
ALL DIMENSIONS ARE IN INCHES TOLERANCES: DECIMAL: .XX ± .01 .XXX ± .005 ANGULAR: ± 1° GEN. CONCENTRICITY: .001 T.I.R. MACH. FILLETS: .010 R MACH. EDGES: .015 R OR CHMF. UNSPECIFIED RADII: .015 R IN MICROINCHES RIMS 32 GEOMETRIC: TO MIL-ST'D. 8 REMOVE ALL BURRS & SHARP EDGES			43 TOWN FOREST ROAD OXFORD, MA 01540 DESCRIPTION ELECTRIC HYST. BRAKE
DRAWN KJM 12-5-11		CHECKED	DWG. NO. REV.
SIZE: B			EB-750M-2DS

EB-750M-2DS ELECTRIC HYSTERESIS BRAKE TORQUE VS. CURRENT



NOTE:

- ACTUAL CURVE MAY VARY. THE TORQUE AT THE RATED CURRENT IS THE MINIMUM GUARANTEED TORQUE AT THAT CURRENT. TYPICAL BRAKES CAN BE 10-25% OVER RATED TORQUE, BUT THOSE RESULTS ARE **NOT** GUARANTEED.

THIS DRAWING IS THE PROPERTY OF MAGNETIC TECHNOLOGIES LTD. AND IS SUPPLIED ON THE EXPRESS CONDITION THAT IT SHALL NOT BE LENT, COPIED, REPRODUCED NO DISCLOSED TO ANY OTHER PERSON, IN WHOLE OR IN PART WITHOUT THE WRITTEN CONSENT OF MAGNETIC TECHNOLOGIES LTD.

USED ON EB-750M-2DS	SCALE	MATERIAL	 43 TOWN FOREST ROAD OXFORD, MA 01540
UNLESS OTHERWISE SPECIFIED: ALL DIMENSIONS ARE IN INCHES TOLERANCES: DECIMAL: .XX ± .01 .XXX ± .005 ANGULAR: ± 1° GEN. CONCENTRICITY: .001 T.I.R. MACH. FILLETS: .010 R MACH. EDGES: .015 R OR CHVF. UNSPECIFIED RADII: .015 R IN MICROINCHES RMS 32 GEOMETRIC TO MIL-STD. 8 REMOVE ALL BURRS & SHARP EDGES			
WEIGHT:		DWG. NO.	
SIZE: B		REV.	
TECHNICAL DATA EB-750M-2DS			